

INSTALLATION INSTRUCTIONS

FRONT CONTROL 30" GAS RANGE

**INSTALLATION AND SERVICE MUST BE PERFORMED BY A QUALIFIED INSTALLER.
 IMPORTANT: SAVE FOR LOCAL ELECTRICAL INSPECTOR'S USE.
 READ AND SAVE THESE INSTRUCTIONS FOR FUTURE REFERENCE.**



⚠ WARNING FOR YOUR SAFETY: Do not store or use gasoline or other flammable vapors and liquids in the vicinity of this or any other appliance.



⚠ WARNING If the information in this manual is not followed exactly, a fire or explosion may result causing property damage, personal injury or death.

FOR YOUR SAFETY:

- Do not store or use gasoline or other flammable vapors and liquids in the vicinity of this or any other appliance.
- **WHAT TO DO IF YOU SMELL GAS:**
 - Do not try to light any appliance.
 - Do not touch any electrical switch; do not use any phone in your building.
 - Immediately call your gas supplier from a neighbor's phone. Follow the gas supplier's instructions.
 - If you cannot reach your gas supplier, call the fire department.
- Installation and service must be performed by a qualified installer, service agency or the gas supplier.

⚠ WARNING Tip Over Hazard



- A child or adult can tip the range and be killed.
- Verify the anti-tip device has been installed to floor or wall.
- Ensure the anti-tip device is re-engaged to floor or wall when the range is moved.
- Do not operate the range without the anti-tip device in place and engaged.
- Failure to follow these instructions can result in death or serious burns to children and adults.



To check if the anti-tip bracket is installed properly, use both arms to grasp the rear edge of the range back. Carefully attempt to tilt range forward. When properly installed, the range should not tilt forward.



Refer to the anti-tip bracket installation instructions supplied with your range for proper installation.

Note: For appliance installed in the State of Massachusetts see page 2.

Table of Contents

Important Notes to the Installer	1	LP/Propane Gas Conversion	10
Important Note to the Customer	1	Care, Cleaning and Maintenance	10
Clearances and Dimensions.....	2	Before You Call for Service	10
Important Safety Instructions.....	3	Serial Plate Location	10
Tools You Will Need	4		
Normal Installation Steps:			
1. Anti-Tip Bracket Installation Instructions Important Safety Warning	4-5		
2. Provide an Adequate Gas Supply	6		
3. Seal the Openings	6		
4. Connect the Range to the Gas Supply	7		
5. Electrical Requirements	8		
6. Assembly of the Burner Caps	8		
7. Electric Ignition Surface Burner	9		
8. Adjust the Low Setting of Surface Burner Valves.....	9		
9. Operation of Oven Burners and Oven Adjustment... ..	9		
10. Air Shutter-Broil Burner.....	10		
11. Make Sure Range is Level.....	10		
12. After Installation is Complete Make sure all Controls are Left in the OFF Position	10		

Important Notes to the Installer

1. Read all instructions contained in these installation instructions before installing range.
2. Remove all packing material from the oven and the drawer compartments before connecting the electrical and gas supply to the range.
3. Observe all governing codes and ordinances.
4. Be sure to leave these instructions with the consumer.
5. Note: For operation at 2000 ft. elevations above sea level, appliance rating shall be reduced by 4 percent for each additional 1000 ft.

Important Note to the Consumer

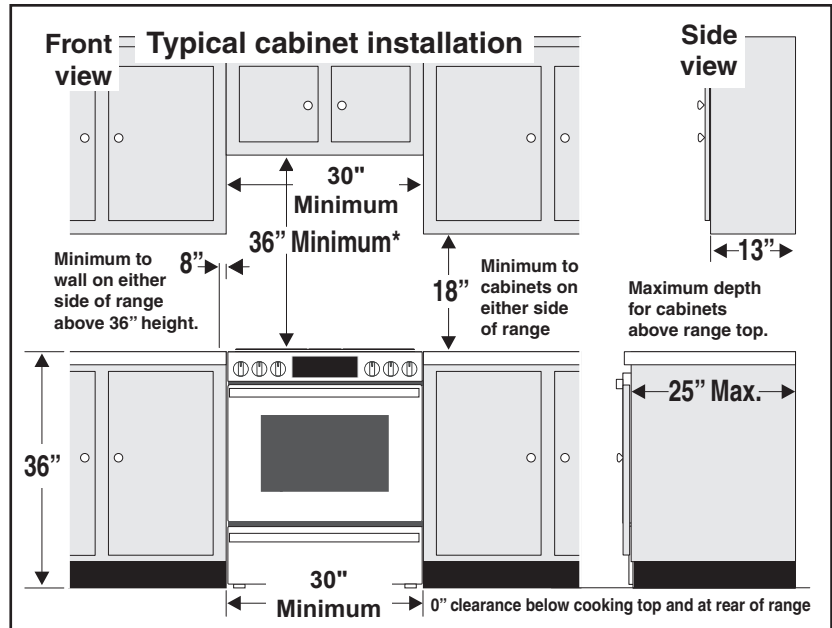
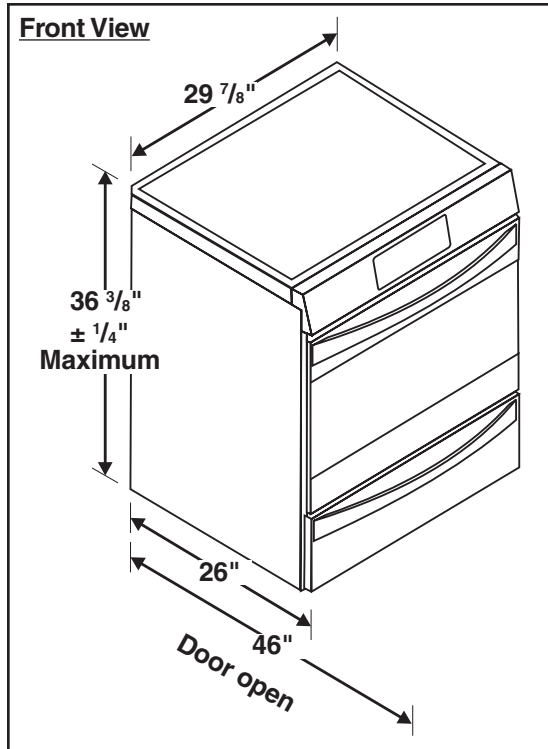
Keep these instructions with your owner's guide for future reference.

P/N 809127202 (1606) Rev. D
 English – pages 1-10
 Spanish - pages 11-20
 Français - pages 21-30

30" GAS RANGE INSTALLATION INSTRUCTIONS

Clearances and Dimensions

1. **Location—Check location where the range will be installed.** Check for proper electrical and gas supply, and the stability of floor.
2. **Dimensions that are shown must be used.** Given dimensions provide minimum clearance. Contact surface must be solid and level.



* 36" minimum clearance between the top of the cooking surface and the bottom of an unprotected wood or metal cabinet; or 24" minimum when bottom of wood or metal cabinet is protected by not less than ¼" flame retardant millboard covered with not less than no. 28 MSG sheet steel, 0.015" stainless steel, 0.024" aluminum or 0.020" copper. The minimum clearance is 0" for the rear of the range. Follow all dimension requirements provided above to prevent property damage, potential fire hazard, and incorrect countertop and cabinet cuts.

⚠ WARNING DO NOT MAKE ANY ATTEMPT TO OPERATE THE ELECTRIC IGNITION OVEN DURING AN ELECTRICAL POWER FAILURE. RESET ALL OVEN CONTROLS TO OFF IN THE EVENT OF A POWER FAILURE. The electric ignitor will automatically re-ignite the oven burner when power resumes if the oven thermostat control was left in the ON position. When an electrical power failure occurs during use, the surface burners will continue to operate. During a power outage, the surface burners can be lit with a match. Hold a lighted match to the burner, then slowly turn the knob to the Lite position. Use extreme caution when lighting burners this way.

Avoid locating cabinet storage space above the surface burners. Avoid locating cabinet storage space above the surface burners. The absence of cabinets will eliminate the chance of cabinets catching on fire, and eliminate the possibility of receiving personal burns from reaching for the cabinets over flaming surface burners. If cabinet storage is to be provided, risk can be reduced by installing a range hood that projects horizontally a minimum of 5" beyond the bottom of the cabinets.

Special instructions for appliances installed in the state of Massachusetts: This Appliance can only be installed in the state of Massachusetts by a Massachusetts licensed plumber or gas fitter. When using a flexible connector, it must not exceed three (3) feet (36 in.) long. A "T" handle type manual gas valve must be installed in the gas supply line to this appliance.

30" GAS RANGE INSTALLATION INSTRUCTIONS

IMPORTANT SAFETY INSTRUCTIONS

Installation of this range must conform with local codes or, in the absence of local codes, with the National Fuel Gas Code ANSI Z223.1/NFPA .54-latest edition or CAN/CGA-B149.1 and CAN/CGA-B149.2 standards.

When installed in a manufactured (mobile) home, installation must conform with the Manufactured Home Construction and Safety Standard, Title 24 CFRR, Part 3280 [formerly the Federal Standard for Mobile Home Construction and Safety, Title 24, HUD (Part 280)] or, when such standard is not applicable, the Standard for Manufactured Home Installations, ANSI/NCSBCS A.225.1, or with local codes in United States or with ANSI Z225.1/NFPA 501A-latest edition, or CAN/CSA-Z240MH in Canada.

This range has been design certified by CSA International. As with any appliance using gas and generating heat, there are certain safety precautions you should follow. You will find them in the Use and Care Guide, read it carefully.

- **Be sure your range is installed and grounded properly by a qualified installer or service technician.**
- **This range must be electrically grounded in accordance with local codes or, in their absence, with the National Electrical Code ANSI/NFPA No. 70—latest edition in United States or with CSA standard C22.1, Canadian Electrical Code, Part 1 in Canada.** See Grounding Instructions in the Electrical Requirements section of these Installation Instructions.
- Before installing the range in an area covered with linoleum or any other synthetic floor covering, make sure the floor covering can withstand heat at least 90°F above room temperature without shrinking, warping or discoloring. Do not install the range over carpeting unless you place an insulating pad or sheet of ¼" (10,16cm) thick plywood between the range and carpeting.
- Make sure the wall coverings around the range can withstand the heat generated by the range.
- Do not obstruct the flow of combustion air at the oven vent nor around the base or beneath the lower front panel of the range. Avoid touching the vent openings or nearby surfaces as they may become hot while the oven is in operation. This range requires fresh air for proper burner combustion.

- Air curtains or other overhead range hoods, which operate by blowing a downward air flow onto a range, shall not be used in conjunction with gas ranges other than when the hood and range have been designed, tested and listed by an independent test laboratory for use in combination with each other.

⚠ WARNING Never leave children alone or unattended in the area where an appliance is in use. As children grow, teach them the proper, safe use of all appliances. Never leave the oven door open when the range is unattended.

⚠ WARNING Stepping, leaning or sitting on the doors or drawers of this range can result in serious injuries and can also cause damage to the range.

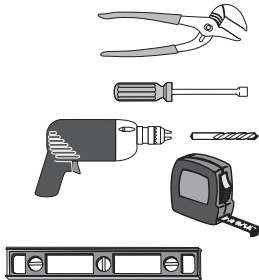
- Do not store items of interest to children in the cabinets above the range. Children could be seriously burned climbing on the range to reach items.
- To eliminate the need to reach over the surface burners, cabinet storage space above the burners should be avoided.
- Adjust surface burner flame size so it does not extend beyond the edge of the cooking utensil. Excessive flame is hazardous.
- Do not use the oven as a storage space. This creates a potentially hazardous situation.
- Never use your range for warming or heating the room. Prolonged use of the range without adequate ventilation can be dangerous.
- Do not store or use gasoline or other flammable vapors and liquids near this or any other appliance. Explosions or fires could result.
- In the event of an electrical power outage, the surface burners can be lit manually. To light a surface burner, hold a lit match to the burner head and slowly turn the Surface Control knob to LITE. Use caution when lighting surface burners manually.
- Reset all controls to the "off" position after using a programmable timing operation.
- Remove broiler pan, food and other utensils before self-cleaning the oven. Wipe up excess spillage. Follow the precleaning instructions in the Use and Care Guide.
- Unlike the standard gas range, **THIS COOKTOP IS NOT REMOVABLE.** Do not attempt to remove the cooktop.

30" GAS RANGE INSTALLATION INSTRUCTIONS

Tools you will need

For leveling legs and anti-tip brackets:

- Adjustable wrench or channel lock pliers
- 5/16" Nutdriver or Flat Head Screw Driver
- Electric Drill & 1/8 Diameter Drill Bit (5/32" Masonry Drill Bit if installing in concrete)
- Level & Measuring Tape



For gas supply connection:

- Pipe Wrench
- Brush



For burner flame adjustment

- Phillips head and blade-type screwdrivers

For gas conversion (LP/Propane or Natural):

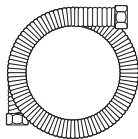
- Open end wrench - 1/2"

Additional materials you will need

- Gas line shut-off valve
- Pipe joint sealant that resists action of LP/ Propane gas



- A new flexible metal appliance conduit (1/2" NPT x 3/4" or 1/2" I.D.) must be design certified by CSA International. Because solid pipe restricts moving the range we recommend using a new flexible conduit (4 feet length) for each new installation and additional reinstalls.



- Always use the (2) new flare union adapters

1/2" NPT x 3/4" or 1/2" I.D.) supplied with the new flexible appliance conduit for connection of the range.

Normal Installation Steps

1 Anti-tip Bracket Installation Instructions

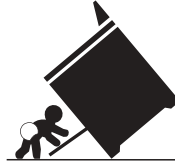
Important Safety Warning

To reduce the risk of tipping of the range, the range must be secured to the floor by the properly installed anti-tip bracket and screws packed with the range. Failure to install the anti-tip bracket will allow the range to tip over if excessive weight is placed on an open door or if child climbs upon it. Serious injury might result from spilled hot liquids or from the range itself.

If range is ever moved to a different location, the anti-tip brackets must also be moved and installed with the range.

Instructions are provided for installation in wood or cement floor. When fastening to floor, be sure that screws do not penetrate electrical wiring or plumbing.

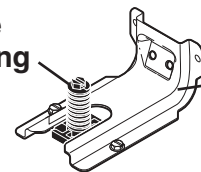
! WARNING Tip Over Hazard



- A child or adult can tip the range and be killed.
- Verify the anti-tip device has been installed to floor or wall as per installation instructions.
- Ensure the anti-tip device is re-engaged to floor or wall when the range is moved.
- Do not operate the range without the anti-tip device in place and engaged.
- Failure to follow these instructions can result in death or serious burns to children and adults.



Range Leveling Leg



Anti-Tip Bracket

To check if the anti-tip bracket is installed properly, use both arms and grasp the rear edge of range back. Carefully attempt to tilt range forward. When properly installed, the range should not tilt forward.

A. Locate the Bracket Using the Template -

Locate the bracket position (right or left side) by placing the template symmetrically to the center of the final range position. Mark the location of the screw holes, shown on template.

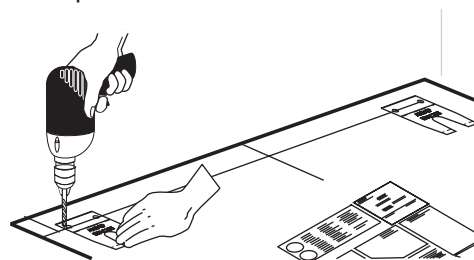
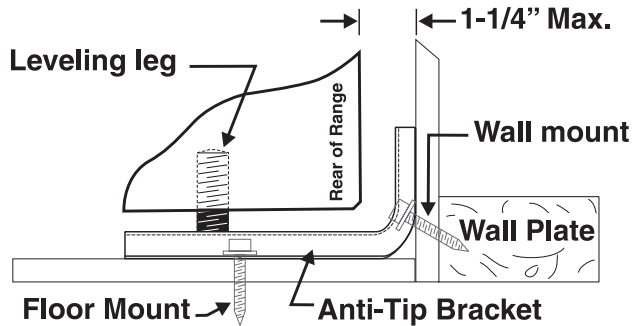


Figure 1

30" GAS RANGE INSTALLATION INSTRUCTIONS

B. Drill Pilot Holes and Fasten Bracket - Drill a 1/8" pilot hole where screws are to be located. If bracket is to be mounted to the wall, drill pilot hole at an approximate 20° downward angle. If bracket is to be mounted to masonry or ceramic floors, drill a 3/16" pilot hole 1-3/4" deep. The screws provided may be used in wood or concrete material. Use a 5/16" nut-driver or flat head screwdriver to secure the bracket in place.

FASTEN BRACKET (WALL OR FLOOR MOUNTING)



FASTEN BRACKET (FLOOR MOUNTING ONLY)

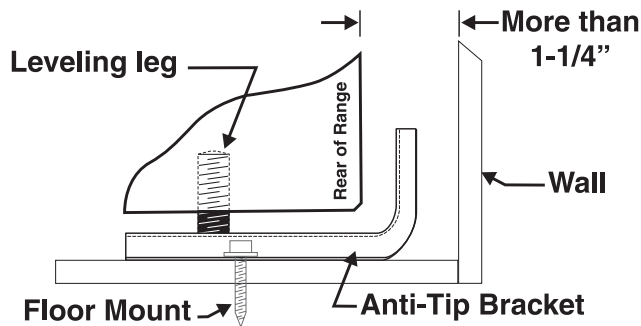


Figure 2

C. Level and position the range - Slide range to its final position. Insert the range leveling leg in the anti-tip bracket. Visually verify if the anti-tip bracket is engaged. Lower the range by adjusting the 4 leveling legs alternatively until the range is level. Check if the range is level by placing a spirit level on the oven rack. Take 2 readings with the spirit level placed diagonally; take a reading in one direction and then in the other direction. Level the range if necessary by adjusting the leveling legs.

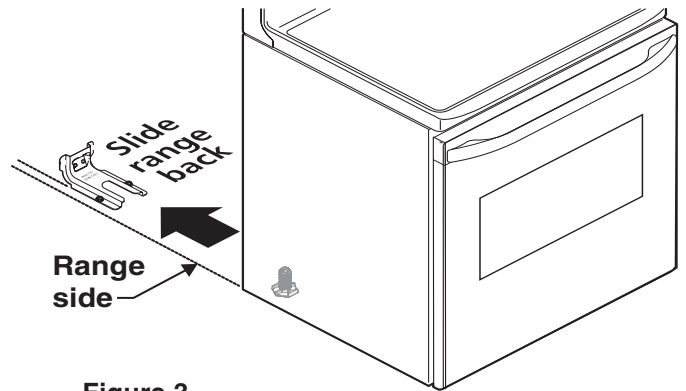


Figure 3

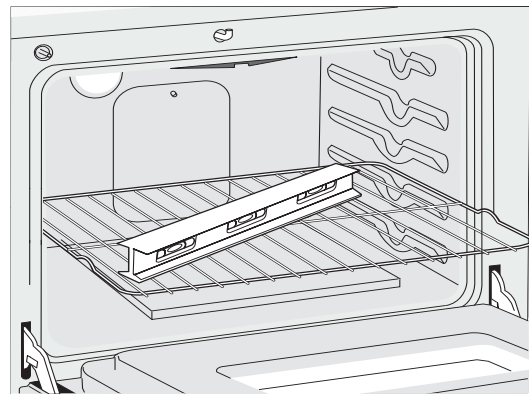


Figure 4

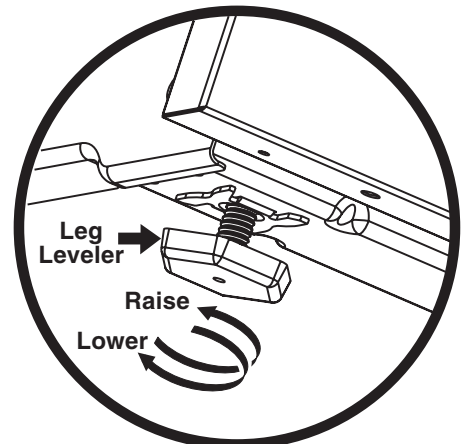


Figure 5

30" GAS RANGE INSTALLATION INSTRUCTIONS

2.1 Gas and Electric Entry Preparation

- The hatched areas are the locations where the gas line can enter the cabinet (figure 5a).
- The recommended position for the gas entry line is located at 7" (17,8 cm) from the left cabinet wall and 2" (5,1 cm) from the floor (figure 5a).
- The shaded area is the location where the electric outlet can be located (figure 5a).
- **If you are using a through the floor gas entry, remove the line protector shield** from the bottom of the unit to allow access for the pipe line (figure 5b).
- We recommend to install a pipe elbow right out of the floor or wall towards the center of the unit to ease the installation.

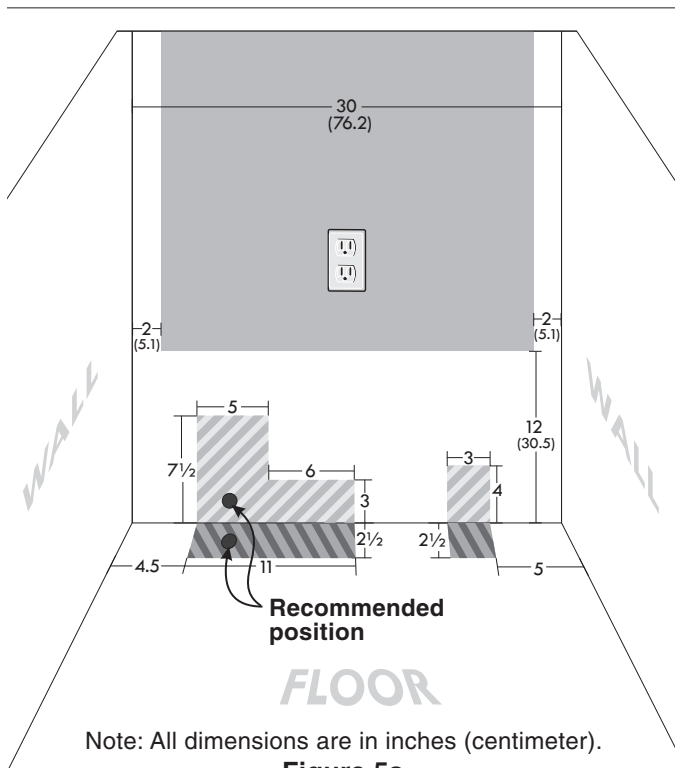


Figure 5a

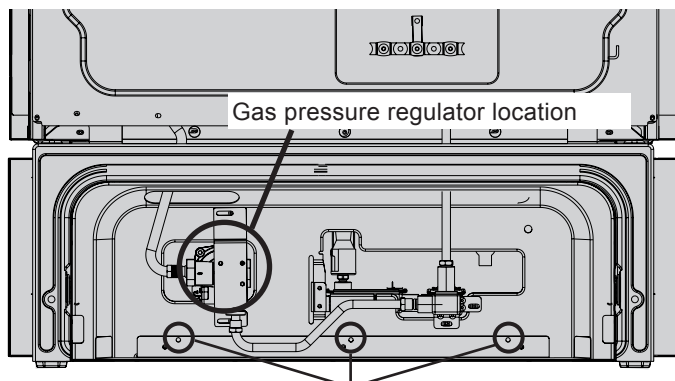


Figure 5b

2.2 Provide an adequate Gas Supply

When shipped from the factory, this unit is designed to operate on 4" (10,16 cm) water column (1,0 kPa) Natural gas manifold pressure. A convertible pressure regulator is connected to the range manifold and **MUST** be connected in series with the gas supply line. If LP/Propane conversion kit has been used, follow instructions provided with the kit for converting the pressure regulator to LP/Propane use.

Care must be taken during installation of range not to obstruct the flow of combustion and ventilation air.

For proper operation, the maximum inlet pressure to the regulator should be no more than 14" (35,56 cm) of water column pressure (3,5 kPa). The inlet pressure to the regulator must be at least 1" (0,25 kPa) greater than the regulator manifold pressure setting. Examples: If regulator is set for natural gas 4" (10,16 cm) manifold pressure, inlet pressure must be at least 5" (12,60 cm); if regulator has been converted for LP/Propane gas 10" (25,4 cm) manifold pressure, inlet pressure must be at least 11" (27,9 cm).

Leak testing of the appliance shall be conducted according to the instructions in step 4H.

The gas supply line should be 1/2" or 3/4" I.D.

3 Seal the openings

Seal any openings in the floor under the range after gas supply line is installed.

30" GAS RANGE INSTALLATION INSTRUCTIONS

4 Connect the range to the gas supply

Important: Remove all packing material and literature from range before connecting gas and electrical supply.

Note: To prevent leaks, put pipe joint sealant on all external pipe threads.

CAUTION Do not allow regulator to rotate on pipe when tightening fittings.

Connection to Pressure Regulator

The regulator is already installed on the appliance.

WARNING Do not make the connection too tight. The regulator is die cast. Overtightening may crack the regulator resulting in a gas leak and possible fire or explosion.

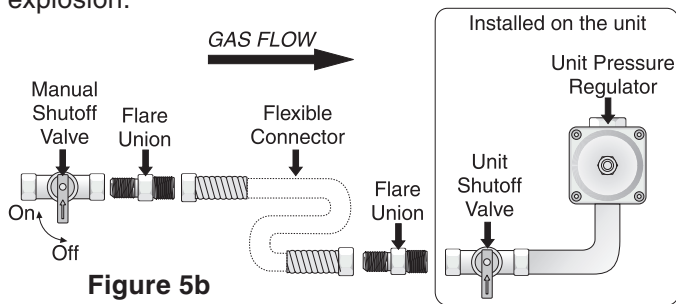


Figure 5b

- Install an external manual gas shut-off valve to gas supply line in an accessible location outside of the range. Be sure you know where and how to shut off the gas supply to the range.
- Install $\frac{1}{2}$ " flare union adapter to unit shut-off valve using **NO MORE THAN 15ft./lbs.** of torque. **NOTE:** Be sure to stabilize the right side of the unit shut-off valve with adjustable wrench before tightening ANY fittings to the unit shut-off valve.
- Tighten the gas flexible connector and/or appliance conduit to flare union on the left side of the unit shut-off valve using **NO MORE THAN 15ft./lbs.** of torque. Be sure to stabilize the $\frac{1}{2}$ " flare union adapter with an adjustable wrench before tightening the gas flexible connector and/or appliance conduit.
- Install flare union adapter to external shut-off valve.
- Attach the gas flexible connector with the flare union on shut-off valve.
- Make sure both shut-off valves are in the "ON" position.
- Form the gas flexible connector as shown on figure 5c. This will prevent the flexible connector from pinching or blocking the unit when you will push it back in its final position.
- Check for leaks. Turn the gas supply on to the range and use a liquid leak detector (or soap and water) at all joints and conduits to check for leaks in the system.

WARNING Do not use a flame to check for gas leaks.

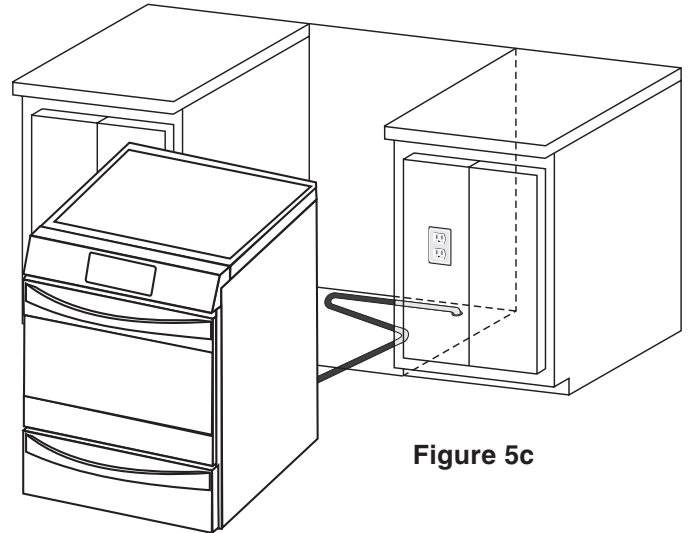


Figure 5c

Note: The purpose of forming the gas flexible connector is to position it in a way that will not block the unit or get pinched in it's final position.

If your unit in place is not against the wall as you wish, check behind the range and place the gas flexible connector to avoid the range being blocked or the gas flexible connector being pinched.

Checking Manifold Gas Pressure

Disconnect this range and its individual manual shutoff valve from the gas supply piping system during any pressure testing of that system at test pressures greater than 14" water column pressure (approximately $\frac{1}{2}$ " psig).

The appliance must be isolated from the gas supply piping system by closing its individual manual shutoff valve during any pressure testing of the gas supply piping system at test pressures equal to or less than 14" water column pressure (approximately $\frac{1}{2}$ " psig).

If it should be necessary to check the manifold gas pressure, connect manometer (water gauge) or other pressure device to the top burner right rear orifice. Using a rubber hose with inside diameter of approximately $\frac{1}{4}$ " hold tubing down tight over orifice. Turn burner valve on.

For accurate pressure check have at least two (2) other top burners burning. Be sure the gas supply (inlet) pressure is at least one inch above specified range manifold pressure. The gas supply pressure should never be over 14" water column. When properly adjusted for Natural Gas manifold pressure is 4" (For LP/Propane Gas the manifold pressure is 10")

30" GAS RANGE INSTALLATION INSTRUCTIONS

5 Electrical Requirements

120 volt, 60 Hertz, properly grounded dedicated circuit protected by a 15 amp circuit breaker or time delay fuse.

Do not use an extension cord with this range.

Grounding Instructions

IMPORTANT Please read carefully.

For personal safety, this appliance must be properly grounded.

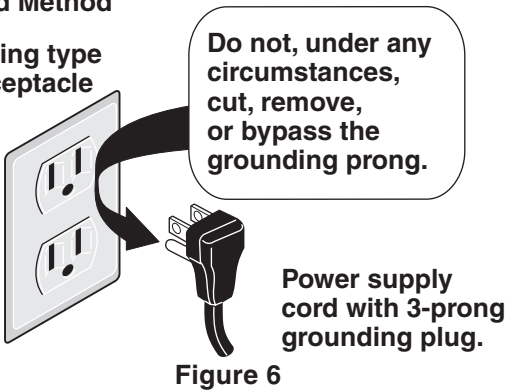
The power cord of this appliance is equipped with a 3-prong (grounding) plug which mates with a standard 3-prong grounding wall receptacle (see Figure 6) to minimize the possibility of electric shock hazard from the appliance.

The wall receptacle and circuit should be checked by a qualified electrician to make sure the receptacle is properly grounded.

Where a standard 2-prong wall receptacle is installed,

Preferred Method

Grounding type wall receptacle



it is the personal responsibility and obligation of the consumer to have it replaced by a properly grounded 3-prong wall receptacle.

Do not, under any circumstances, cut or remove the third (ground) prong from the power cord.

⚠ WARNING Disconnect electrical supply cord from wall receptacle before servicing cooktop.

6 Assembly of the Burner Caps

Refer to the Use and Care manual packaged with the appliance for operating, care, and cleaning instructions.

Install Burner Caps

This cooktop is equipped with sealed burners. All burner pieces are taped at their correct emplacement. Take note where they are. Remove all packaging material. Make sure the burner caps are properly aligned and leveled. The burner cap lip (See Figure 7) should fit snug into the center of burner head and rest level. Refer to Figures 8 & 9 for correct and incorrect burner cap placement. Once in place, you may check the fit by gently sliding the burner cap from side to side (Figure 10) to be sure it is centered and firmly seated. When the burner cap lip makes contact inside the center of the burner head you will be able to feel it. Please note that the burner cap should NOT move off the center of the burner head when sliding from side to side. NOTE: There are no burner adjustments necessary on this cooktop.

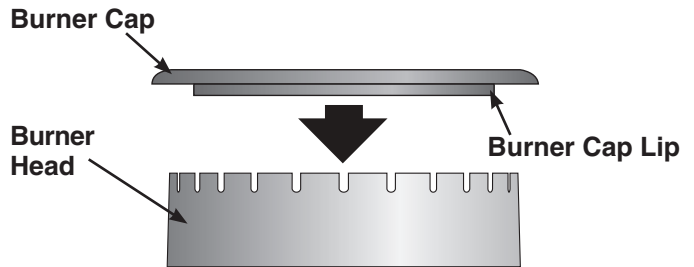
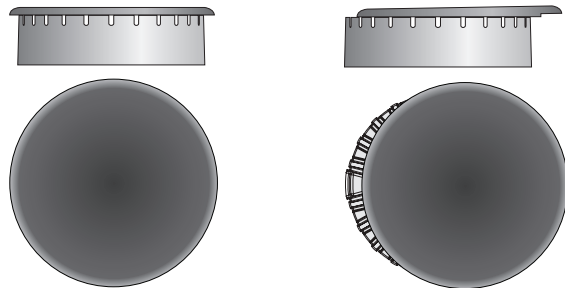
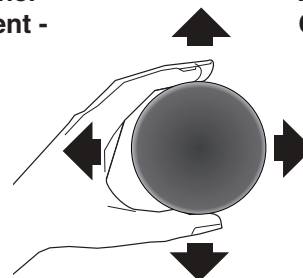


Fig. 7



Correct Burner Cap Placement - Fig. 8

Incorrect Burner Cap Placement - Fig. 9



30" GAS RANGE INSTALLATION INSTRUCTIONS

7 Electric Ignition Surface Burner

Operation of electric igniters should be checked after range and supply line connectors have been carefully checked for leaks, and range has been connected to electric power. To check for proper lighting:

- Push in and turn a surface burner knob to the LITE position. You will hear the igniter sparking.
- The surface should light when gas is available to the top burner. Each burner should light within four (4) seconds after air has been purged from supply lines. Visually check that burner has lit.
- Once the burner lights, the control knob should be rotated out of the LITE position.
- There are separate ignition devices for each burner. Try each knob separately until all burner valves have been checked.

8 Adjust the "LOW" Setting of Surface Burner Valves

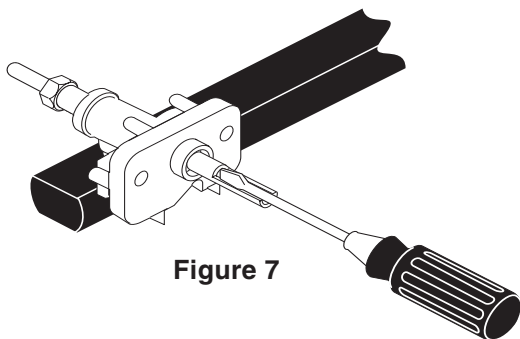
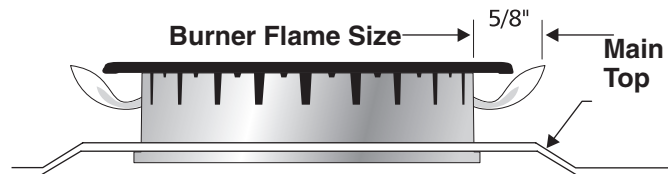


Figure 7

- Push in and turn each control to LITE until burner ignites.
- Push in and quickly turn knob to LOWEST POSITION.
- If burner goes out, Reset control to OFF.
- Remove the surface burner control knob.
- Insert a thin-bladed screwdriver into the hollow valve stem and engage the slotted screw inside. Flame size can be increased or decreased with the turn of the screw.



Adjust flame until you can quickly turn knob from LITE to LOWEST POSITION without extinguishing the flame. Flame should be as small as possible without going out.

Note: Air mixture adjustment is not required on surface burners.

9 Operation of Oven Burners and Oven Adjustments

Electric Ignition Burners

Operation of electric igniters should be checked after range and supply line connectors have been carefully checked for leaks, and range has been connected to electric power.

The oven burner is equipped with an electric control system as well as electric oven and broil burner igniters. These control systems require no adjustment. When the oven is set to operate, current will flow to the igniter. It will "glow" similar to a light bulb. When the igniter has reached a temperature sufficient to ignite gas, the electrically controlled oven valve will open and flame will appear at the oven burner. There is a time lapse from 30 to 60 seconds after thermostat is turned ON before the flame appears at the oven burner. When the oven reaches the display setting, the glowing igniter will go off. The burner flame will go "out" in 20 to 30 seconds after igniter goes "OFF". To maintain any given oven temperature, this cycle will continue as long as the display is set to operate.

After removing all packing materials and literature from the oven:

- Set the lower oven to BAKE at 300°F. See Use & Care Guide for operating instructions.
- Within 60 seconds the oven burner should ignite. Check for proper flame, and allow the burners to cycle once. Reset controls to OFF.
- Repeat A and B with the upper oven.
- Set the upper oven to broil. See Use and Care Guide for operating instructions.
- Within 60 seconds the broil burner should ignite. Check for proper flame. Reset controls to off.

30" GAS RANGE INSTALLATION INSTRUCTIONS

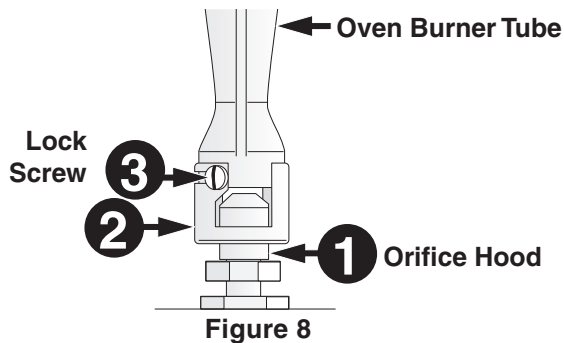
10 Air Shutter-Broil Burner

The approximate flame length from the burner is 1 inch (distinct inner cone of blue flame).

To determine if the broil burner flame is proper, set the oven to broil.

If flame is yellow in color, increase air shutter opening size (see "2" in Figure 8). If the entire flame is blue, reduce the air shutter opening size.

To adjust, loosen lock screw (see "3" in Figure 8), reposition air shutter, and tighten lock screw.



11 Make sure range is level

Level the range by placing a level horizontally on an oven rack. Check diagonally from front to back, then level the range by adjusting the leveling legs.

12 After installation is completed, make sure all controls are left in the OFF position.

LP/Propane Gas Conversion

This appliance can be used with Natural gas or LP/Propane gas. It is shipped from the factory for use with natural gas.

If you wish to convert your range for use with LP/Propane gas, use the supplied fixed orifices located in a bag containing the literature marked "FOR LP/PROPANE GAS CONVERSION." Follow the instructions packaged with the orifices for surface, oven and broil burners conversion.

The conversion must be performed by a qualified service technician in accordance with the manufacturer's instructions and all local codes and requirements. Failure to follow these instructions could result in serious injury or property damage. The qualified agency performing this work assumes responsibility for the conversion.

⚠ WARNING Failure to make the appropriate conversion can result in serious personal injury and property damage.

Care, Cleaning and Maintenance

Refer to the Use & Care Guide for cleaning instructions.

If moving the range is necessary for cleaning or maintenance, shut off gas supply. Disconnect the gas and electrical supply. If gas or electrical supply is inaccessible, lift the unit slightly at the front and pull out away from the wall.

Pull only as far as necessary to disconnect the gas and electrical supply. Finish moving the unit for servicing and cleaning. Reinstall in reverse order making sure to level the range and check gas connections for leaks.

Before You Call for Service

Read the Before You Call for Service Checklist and operating instructions in your **Use and Care Guide**. It may save you time and expense. The list includes common occurrences that are not the result of defective workmanship or materials in this appliance. Refer to your **Use and Care Guide** for service phone numbers.

Serial Plate Information

The serial plate is located as shown. See the serial plate for the following information:

- A. Model, lot and serial number of range.
- B. Kilowatt rating (power requirements).
- C. Voltage ratings.

