

# Dual-Fuel Freestanding Range

**E30DF74GPS** professional series



### Smooth-Glide® Oven Racks

Ball bearing oven racks glide with unparalleled ease and extend fully for effortless access.



### Min-2-Max Burners®

With the widest range of BTU performance in the industry, these best-in-class dual-flame sealed burners offer unrivaled versatility—from a roaring 18,000-BTU boil to a gentle 450-BTU simmer.



### CustomConvect<sup>3™</sup> Convection Technology

Distributes heat evenly throughout the oven by adding a third cooking element plus a variable speed fan.



### Flexible Cooktop Configuration

The cooktop offers a wide range of burner sizes, giving you more flexibility so you can create a multi-course meal at once.

## 30" DUAL-FUEL FREESTANDING RANGE

### CONTROL PANEL FEATURES

|   |     |
|---|-----|
| Electronic Oven Control                     | Yes |
| Professional-Style Stainless Steel Console  | Yes |
| Large Professional Skirted Knobs with Bezel | 6   |

### RANGETOP FEATURES

|                                |                  |
|--------------------------------|------------------|
| Min-2-Max Burners® (BTU)       | 2 (18,000 – 450) |
| Sealed Power Burner™ (BTU)     | 1 (14,000)       |
| Sealed Precision Burner™ (BTU) | 1 (5,000)        |
| Continuous Grates              | 2                |
| Electronic Ignition            | Yes              |

### OVEN CAVITY FEATURES

|   |             |
|---|-------------|
| Capacity                                      | 4.2 Cu. Ft. |
| Bake Element (Watts)                          | 2500        |
| Broil Element (Watts)                         | 4000        |
| Convection Element (Watts)                    | 2500        |
| Signature Cobalt Blue Oven Interior           | Yes         |
| CustomConvect <sup>3™</sup> Convection System | Yes         |
| Self-Clean with Door Lock                     | Yes         |
| Extra-Wide Oven Window                        | Yes         |
| Halogen Oven Light                            | 2           |
| Eight-Pass Bake & Broil                       | Yes         |
| Smooth-Glide® Oven Racks                      | 3           |
| Conventional Rack                             | 1           |
| Convection Roasting Rack                      | 1           |
| Hidden Bake Element                           | Yes         |

### ADDITIONAL FEATURES

|                                   |     |
|-----------------------------------|-----|
| Stainless Steel Backsplash        | 6"  |
| Full Stainless Steel Side Panels  | Yes |
| Professional Handle               | Yes |
| Fully Adjustable, Heavy-Duty Legs | Yes |

### ACCESSORIES

|   |          |
|---|----------|
| Broil Pan and Insert                              | Included |
| Stainless Steel Cleaner                           | Included |
| Griddle   | Included |
| Wok Ring  | Included |
| Simmer Plate                                      | Included |
| 9" Stainless Steel Backsplash – PN# 903104-9010   | Optional |
| 12" Stainless Steel Backsplash – PN# 903105-9010  | Optional |
| 4" Stainless Steel Kick Plate – PN# 318352601     | Optional |
| Stainless Steel Island Trim Kit – PN# 903106-9010 | Optional |
| Black Knobs Kit – PN# 903108-9010                 | Optional |

### SPECIFICATIONS

|  |                    |
|--|--------------------|
| Oven Cavity Dimensions –                         |                    |
| Height   | 16-1/2"            |
| Width  | 24-1/8"            |
| Depth  | 18-1/32"           |
| Product Dimensions –                             |                    |
| Height (Including Adjustable Legs)               | 41-5/8 – 42-5/8"   |
| Width  | 29-7/8"            |
| Depth (Including Handle)<br>(with 90° Door Open) | 28-5/8"<br>45-1/2" |
| Gas Supply Connection Location                   | Center Bottom Rear |
| Power Supply Connection Location                 | Left Bottom Rear   |
| Amps @ 240/208 Volts                             | 27/23              |
| Minimum Circuit Required (Amps)                  | 30                 |
| Connected Load (kW Rating) @ 240/208 Volts       | 6.5/4.8            |
| LP Gas Conversion Kit                            | Included           |
| Shipping Weight (Approx.)                        | 280 Lbs            |

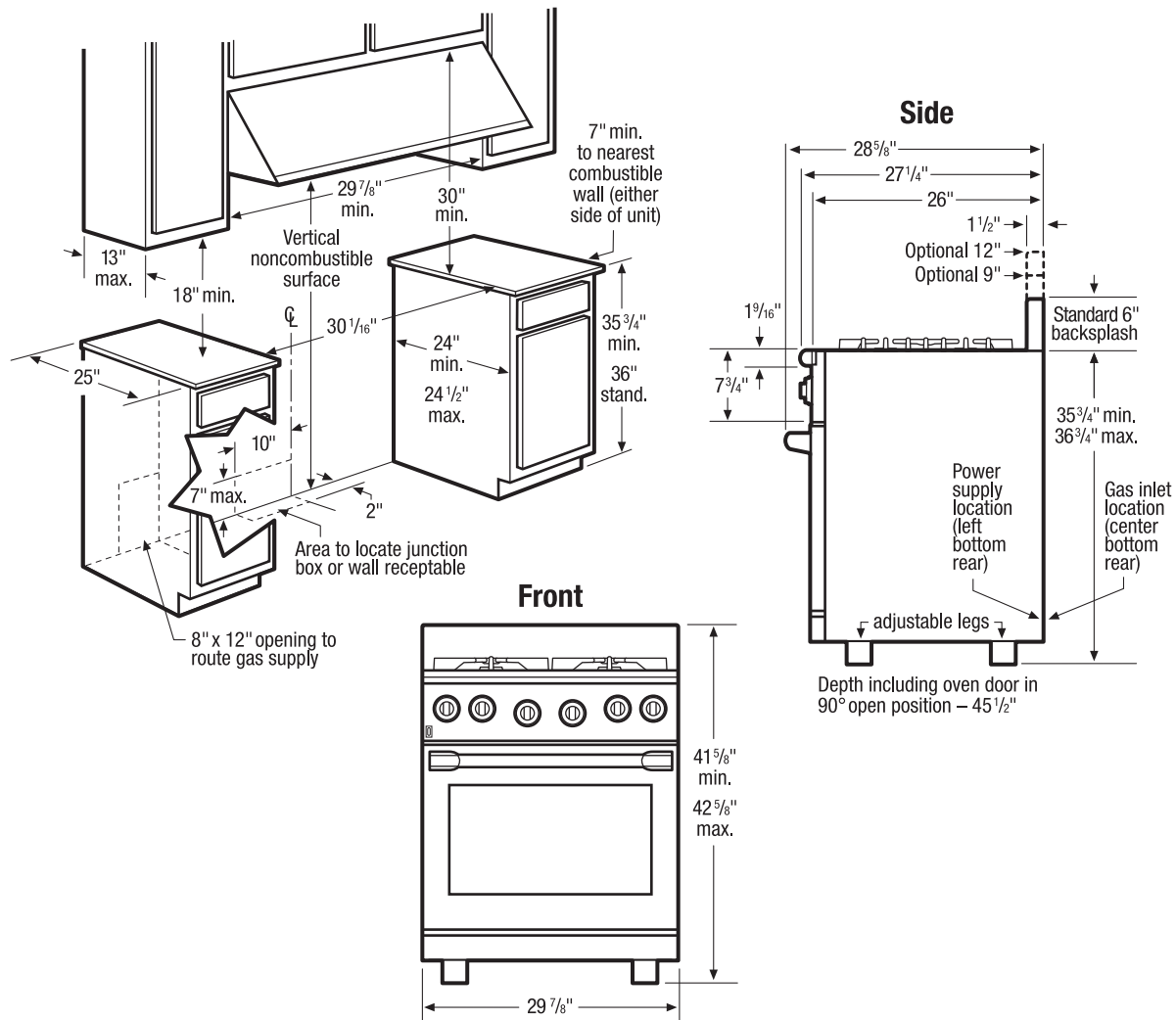
NOTE: Always consult local and national electric and gas codes. Refer to Product Installation Guide for detailed installation instructions on the web at [electroluxicon.ca](http://electroluxicon.ca).

Specifications subject to change.

# Dual-Fuel Freestanding Range

E30DF74GPS professional series

Electrolux | ICON®



## 30" Dual-Fuel Freestanding Range Specifications

- Product Weight – 250 Lbs.
- Single phase 3- or 4-wire cable, 120/240 or 120/208 Volt, 60 Hertz AC only electrical supply with ground required on separate circuit fused on both sides of line.
- Connected Load (kW Rating) @ 240/208 Volts = 6.5/4.8 kW
- Amps @ 240/208 Volts = 27/23 Amps
- Recommended Circuit Breaker – 30 Amps
- Always consult local and national electric and gas codes.
- Range ships with 3/4" factory regulator.
- LP Gas conversion kit supplied.
- Overhead cabinetry should not exceed a 13" maximum depth.
- Allow 30" minimum clearance between top of rangetop and bottom of unprotected wood or metal overhead cabinetry.
- Absolute minimum horizontal distance between overhead cabinets installed to either side of appliance must be no less than maximum width of appliance.
- Allow 7" minimum clearance from edge of rangetop to nearest combustible wall on either side of unit.

- Allow 24" minimum clearance when bottom of wood or metal overhead cabinet is protected by not less than 1/8" flame-retardant millboard covered with not less than No.28 MGS sheet steel, 0.015" stainless steel, 0.024" aluminum or 0.020" copper.
- To reduce risk of fire when using overhead cabinetry, install vent hood that projects horizontally a recommended minimum of 5" beyond bottom of cabinets.

**Note: For planning purposes only. Refer to Product Installation Guide on the web at [electroluxicon.ca](http://electroluxicon.ca) for detailed instructions.**

### Optional Accessories

- 9" Stainless Steel Backsplash – (PN# 903104-9010).
- 12" Stainless Steel Backsplash – (PN# 903105-9010).
- Stainless Steel Island Trim Kit (for use in place of backsplash) – (PN# 903106-9010).
- 4" Stainless Steel Kick Plate – (PN# 318352601).
- Black Knobs Kit – (PN# 903108-9010).

Electrolux Major Appliances, N.A.

CANADA • 5855 Terry Fox Way • Mississauga, ON L5V 3E4 • 1-800-265-8352 • [electroluxicon.ca](http://electroluxicon.ca)

E30DF74GPS 01/12

© 2012 Electrolux Major Appliances, NA



High standards of quality at Electrolux Major Appliances, NA as we are constantly working to improve our products. We reserve the right to change specifications or discontinue models without notice.

Printed in Canada