

Dishwasher

FGID2479SF

24" Built-In



Product Dimensions

| | |
|------------------------|-------------------|
| Height (Adjustable) | 33-3/4" - 35-3/4" |
| Width | 24" |
| Depth (Including Door) | 24-1/4" |

More Easy-To-Use Features

Automatically Adjusts Cycles

DishSense™ Technology automatically adjusts the cycle time based on the level of clean that your dishes need for an efficient clean.

Smudge-Proof™ Stainless Steel

Resists fingerprints and cleans easily.

Clean Dishes of All Sizes

Loading your dishwasher is no longer a puzzle with our SpaceWise® Adjustable Rack, which adjusts to fit oversized dishes and kitchen tools of all shapes and sizes.

Ready-to-Use Dish Alert

Know when your dishes are clean with LED Floor Beam Indicator, which beams a green light alerting you that your dishes are mealtime-ready.

Stay-In-Place Door

The door stays put at whatever angle you open it for easy loading and unloading.

24-Hour Delay Start

Set your dishwasher in advance to run on your schedule. It can be set to run 1-24 hours in advance.

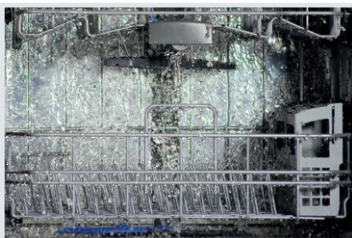
Cleans 14 Place Settings

Clean up to 14 place settings in one cycle.

Efficient Water Usage

Cleans a full load of dishes using 15% less water⁴.

Signature Features



A Complete Clean

Clean dishes in one cycle with OrbitClean® Wash System, which uses four times more water coverage¹ for a complete clean.



Remarkable Dry

Dishes come out remarkably dry every time with EvenDry™².



Best 30-Minute Clean

Don't wait when dishes can be cleaned with the best 30-Minute Quick Clean³.



Easy Access

Serving utensils and tools are mealtime-ready with our Store-More™ removable third rack, which offers easy loading and unloading access.

ENERGY STAR®

NSF® International Certification



Available in:



Stainless
(F)

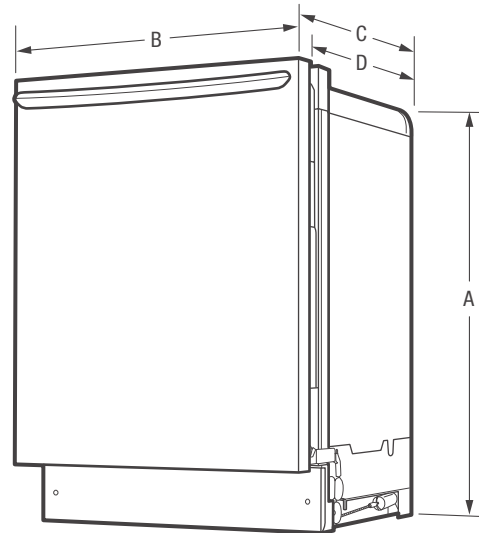
¹ Than a traditional spray arm.

² When used with rinse aid.

³ Tested against competing models with comparable quick cycle times according to ANSI/AHAM DW-I-2010 with only 6 place settings.

⁴ Over a year when using normal cycle in our stainless tub compared to our plastic tub.

| Features | |
|---|----------------------------------|
| Control Design | Fully-Integrated Express-Select® |
| Digital Display | Yes |
| Door Latch/Stay-Put Door Hinge Design | Yes/Yes |
| Low Rinse-Aid Indicator Light | |
| Interior Colour/Interior Design | Stainless Steel/Tall Tub |
| Wash System | Direct Feed |
| Wash Arm | OrbitClean® |
| Wash Levels/Wash Speeds | 5/5 |
| DishSense™ Technology | Yes |
| AquaSurge™ Technology | Yes |
| Sound Package | SilentDesign™ |
| Filter/Filter Trap | S. Steel/Removable |
| Soft Food Disposer | |
| dB Level | 49 |
| Drying System | EvenDry™ |
| Cycles | |
| Number of Cycles | 8 |
| PowerPlus™ (Heavy) | Yes |
| Normal | Yes |
| Light | |
| Quick Wash (30-Min.) | Yes |
| Favourite | Yes |
| China Crystal | Yes |
| Rinse Only | Yes |
| Energy Saver Plus | Yes |
| Upper Rack Wash Only | No |
| Cycle Indicator Light/Control Lock | No/Yes |
| Cycle Complete Floor Beam Indicator | LED |
| Options | |
| Heat/No Heat Dry | Yes/Yes |
| Hi-Temp Wash | Yes |
| NSF® Certified Sanitize Rinse | Yes |
| Delay Start | 1-24 Hour |
| Rack System | |
| Rack Design | Deluxe |
| Rack Coating | Nylon TufRacks™ |
| Upper Rack - | |
| Rack Handles | |
| Stemware/Champagne Glass Holders | Yes |
| Fold-Down Tines | Yes |
| Cup Shelves/Stemware Grips | 2/2 |
| Versa-Tray™ | |
| Adjustable Rack | Yes |
| Lower Rack - | |
| SpaceWise® Silverware Basket | 3-Piece Split |
| Fold-Down Tines | 2 Full Rows |
| Small Items Cover | 2 |
| Third-Level Rack (Single Tray) | Yes |
| Certifications | |
| ENERGY STAR® | Yes |
| NSF® International Certification | Yes |
| Specifications | |
| Water Inlet Location | Left Bottom Front |
| Water Usage (Gallons) | 4.0 - 8.0 |
| Water Pressure (PSI) | 20 - 120 |
| Integral Air Gap on Supply | Yes |
| Leveling Legs | Yes |
| Power Supply Connection Location | Right Bottom Front |
| Voltage Rating | 120V / 60 Hz / 15A |
| Connected Load (kW Rating) @ 120 Volts¹ | 1.44 |
| Amps @ 120 Volts | 15.0 |
| Shipping Weight (Approx.) | 91 Lbs. |



NOTE: For planning purposes only. Always consult local and national electric and plumbing codes. Refer to Product Installation Guide for detailed installation instructions on the web at frigidaire.ca.



| Product Dimensions | |
|----------------------------|-------------------|
| A - Height (Adjustable) | 33-3/4" - 35-3/4" |
| B - Width | 23-3/4" |
| C - Depth (Including Door) | 24-1/4" |
| D - Depth (To Tub Flange) | 22-1/2" |
| Depth with Door Open 90° | 50-1/4" |

| Cutout Dimensions | |
|-------------------|---------|
| Height (Min.) | 34" |
| Height (Max.) | 35-3/4" |
| Width (Min.) | 24" |
| Depth (Min.) | 24" |

¹For use on adequately wired 120V, dedicated circuit having 2-wire service with a separate ground wire. Appliance must be grounded for safe operation.

Accessories information available on the web at frigidaire.ca